

# NEW PRODUCT

March 2014

**MARKET:** Transportation, Aftermarket Automotive, Recreational Vehicles, Agriculture, Building Automation, Security.

**FUNCTION:** RC700 Series is a line of relay and solid state controllers featuring built-in RF technology, operated by a remote key fob from up to 100 yards away.

FCC-approved, with secure RF links, the controls are extremely durable for use in virtually any application requiring remote activation of a relay.

Highly customizable options include AC or battery power source, fixed or adjustable response delay, multiple outputs and up to five different functions per unit. Antenna can be internal or external. Fobs come with up to 5 buttons and include custom imprinting.

**PURPOSE:** Remote operation of up to 5 outputs with a choice of multiple inputs from a single hand-held key fob.

**CONTACT:** 855-227-3526  
www.airotronics.com

**PELCO**  
COMPONENT TECHNOLOGIES  
*Putting Power to Work*

2747 Rte 20E Cazenovia, NY 13035  
www.pelcocaz.com

# AIROTRONICS

## Timers and Controls



A division of Pelco Component Technologies

**CATEGORY:** RF control with keyfob remote

**APPLICATION:** Remote control of function(s)

**SERIES:** RC700



### FEATURES:

Simple three-step programming for multiple hand-held key fobs

1amp to 40amp switching capability

Ideal for 12–24VDC or 24VAC applications

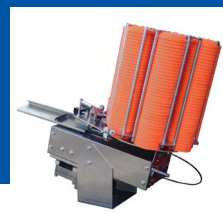
Custom key fob printing

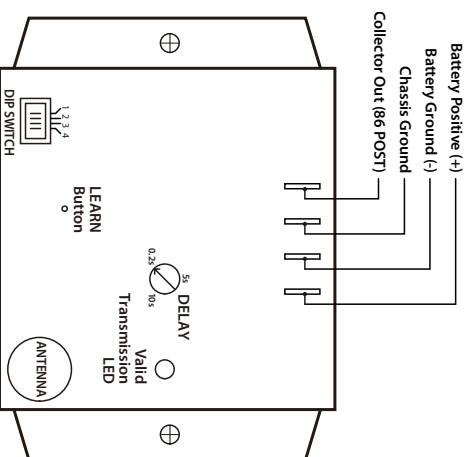
Custom programming and design to fit your application

On-board LED Valid Transmission indicator

Completely encapsulated for protection from harsh environments

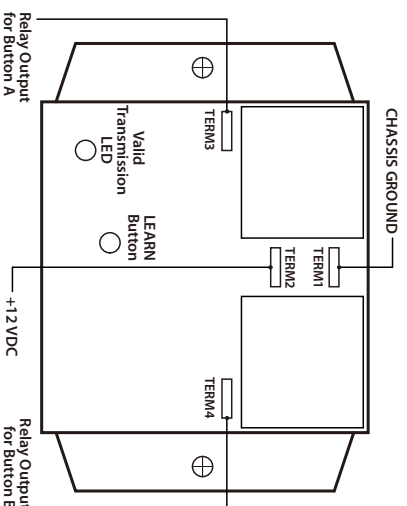
RC700  
at work





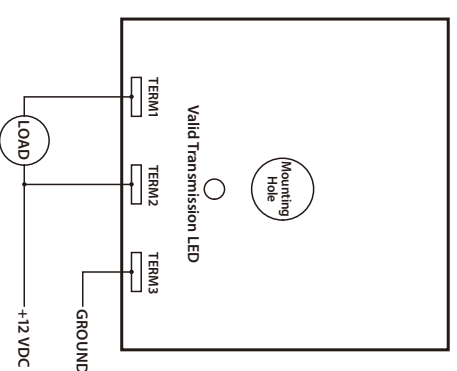
**SPECIFICATIONS: Example 1**

- RF link: 315 MHz operating frequency
- Input Voltage: 12VDC  $\pm$  20%
- MOV Protected and Reverse-Polarity Protected
- Open Collector Output with 200 milliamp capability
- FCC-compliant reverse-connection SMA connector attaches to antenna or cable
- Delay between receiving signal and relay on is adjustable from 0.1–10 seconds
- Connections: 0.25" QC Terminals
- FCC-approved remote Keyfob transmitters



**SPECIFICATIONS: Example 2**

- Two relays, will handle 40 amps minimum at 14VDC
- RF link: 315 MHz operating frequency
- Input Voltage: 12VDC  $\pm$  20%
- MOV Protected and Reverse-Polarity Protected
- Dimensions: 4.125" x 3.125" x 1.50" including mounting
- Connections: 0.25" QC Terminals
- FCC-approved remote Keyfob transmitters



**SPECIFICATIONS: Example 3**

- RF link: 315 MHz operating frequency
- Input Voltage: 12VDC  $\pm$  20%
- MOV Protected and Reverse-Polarity Protected
- Load Capability: 1 amp continuous
- 10 amp in-rush
- Connections: 0.25" QC Terminals
- FCC-approved remote Keyfob transmitters



SERIES: RC700

CATEGORY: RF control with keyfob remote

APPLICATION: Remote control of function(s)

MARCH 13, 2014