

FLEXCON Flexible Test Connectors

SECOND TO NONE IN CONTINUITY, SIGNAL AND VOLTAGE TESTING

Whenever connector reliability is important, you'll find NASA-approved FLEXCON test connectors. Applications include electronic, electrical and communications systems, computers, space vehicles, missiles, aircraft and other military equipment.

The reason is FLEXCON's durable yet easy-to-use design. Each test connector is good for up to fifty bends. That's because all FLEXCON test connector joints are induction soldered, not crimped.

Even in the tightest spaces, FLEXCON connectors provide accessibility without damaging pins. FLEXCON offers you three hook-up options: permanent hook-up by capturing the wire down the barrel;

in the side, capturing the wire with a set screw in the barrel to permit stacking; or in the barrel itself through an interchangeable converter on a banana plug that allows you to change sizes quickly and easily.

FLEXCON test connectors also offer a safe and easy way to patch, probe or connect into "MS/AN", miniature and sub-miniature connectors, as well as into commercial connectors. And when it comes to continuity, signal and voltage testing, FLEXCON test connectors are second to none.

Reliability, durability and ease-of-use set FLEXCON test connectors ahead of the rest.

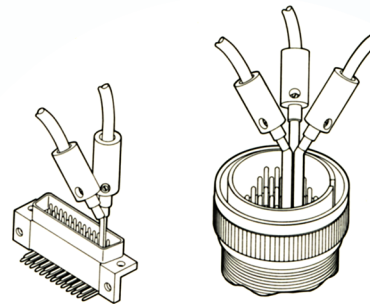
Specify FLEXCON single-contact flexible test connectors.

FLEXCON Test Connectors

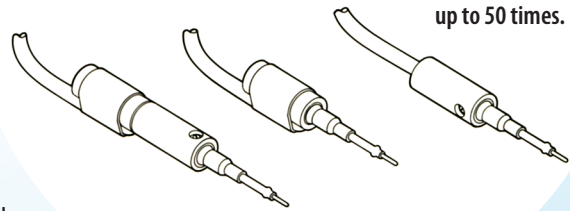
A division of Pelco Component Technologies

SPECIFICATIONS AND USES

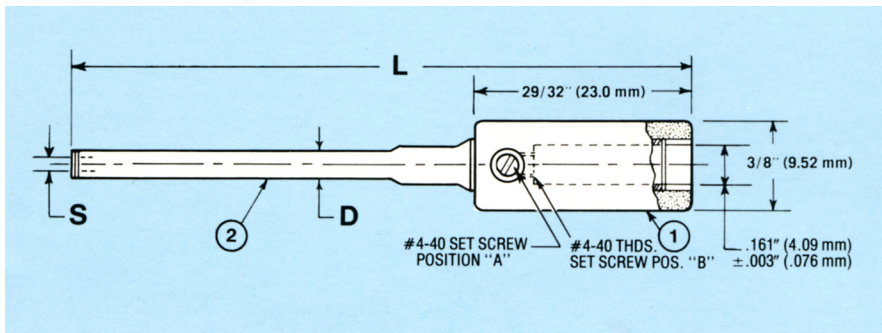
- Pin and socket sizes 22, 20, 16, 12 and 8 conform to MIL Spec dimensions.
- Heavy silver and/or gold contact plating.
- Bi-axial lead attachment feature provides four methods of connection:
 - 1 Barrel lead entrance with set screw in side.
 - 2 Side lead entrance with set screw in barrel.
 - 3 Banana plug terminated test lead plugs into .161 I. D. FLEXCON receptacle.
 - 4 Combination of 2 and 3 for multiple pick-off signals and voltages.
- FLEXCON shaft bends when subjected to accidental side loads during plug-in to prevent mating connector contact and/or insert damage.
- Easy adjacent contact plug-in by bending FLEXCON's shaft.
- Completely insulated for "live circuit" testing. Safe adjacent contact plug-in even with power ON.
- Pin contact FLEXCONS can be used as test gauges for checking corresponding size socket contact's relative retention quality.
- Probe 8-pin and 11-pin relay sockets with 590-12P and 590-12S. Probe 7 or 9-pin miniature sockets and tubes with 620-20P and 620-20S.
- Use 590-16S for .045 or .062, 620-20S for .036 and 620-22S for .025 wire wrapped terminal test connectors.



Ideal for tight locations, FLEXCON flexible connectors may be re-used up to 50 times.

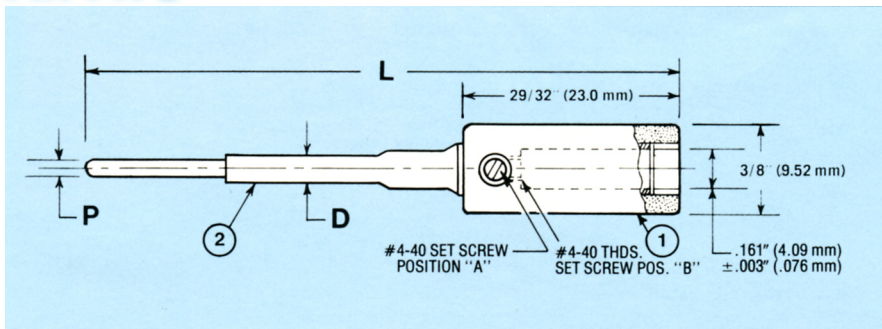


SOCKET TYPE



Type	D		L		S		Contact Plating	Current Rating	Working Volts	Bend Force
	inch	mm	inch	mm	inch	mm				
620-22S	.080	2.03	2 1/8	54.0	.034	.86	GOLD	3A	600V	3-6 oz.
620-20S	.106	2.70	2 5/32	54.8	.043	1.09	GOLD	5A	600V	10-12 oz.
590-16S	.159	4.04	2 19/32	65.9	.067	1.70	SILVER	10A	600V	20-24 oz.
590-12S	.209	5.31	2 5/8	66.7	.099	2.51	SILVER	15A	600V	26-30 oz.
590-8S	.260	6.60	2 27/32	72.2	.147	3.73	SILVER	20A	600V	36-40 oz.

PIN TYPE



Type	D		L		P		Contact Plating	Current Rating	Working Volts	Bend Force
	inch	mm	inch	mm	inch	mm				
620-22P	.080	2.03	2 1/8	54.0	.031	.787	GOLD	3A	600V	3-6 oz.
620-20P	.106	2.70	2 5/32	54.8	.040	1.02	GOLD	5A	600V	10-12 oz.
590-16P	.159	4.04	2 9/16	65.0	.062	1.57	SILVER	10A	600V	20-24 oz.
590-12P	.209	5.31	2 19/32	65.8	.094	2.39	SILVER	15A	600V	26-30 oz.
590-8P	.260	6.60	2 13/16	71.4	.142	3.61	SILVER	20A	600V	36-40 oz.

NOTES

BEND FORCE Force required to bend shaft 90 degrees

INSULATION 1. High Impact Polystyrene
2. High Heat Vinyl Sleeveing, 150°C

CONTACT MATERIAL Brass Alloy

RECEPTACLE MATERIAL Brass, Nickel Plated

SET SCREW Can be used in Position "A" or "B"

TOLERANCES Decimal ±.005" (.127mm)
Fractional ±1/32" (.787mm)
unless otherwise noted

FLEXCON

Test Connectors

A division of Pelco Component Technologies

FLEXCONS are sold in packages of 24 pieces only.
Minimum order: 1 pkg/24 pcs.

Available in red and black. Please specify color when ordering.

All sockets are final checked on strain gauge before shipping.

Number 20 and Number 22 pins and sockets are gold plated.
Larger sizes are bright silver plated.

Custom sizes are available on special order; minimum quantity required.

Military stock numbers are available on request.

FLEXCONS are also available in specially packaged kits.



315-655-8476

Designed and manufactured in the USA
Contact your representative for
personal attention

PELCO

COMPONENT TECHNOLOGIES

Putting Power to Work

2747 Rte 20E Cazenovia, NY 13035 www.pelcoaz.com